



MARINE PRODUCT DATA SHEET

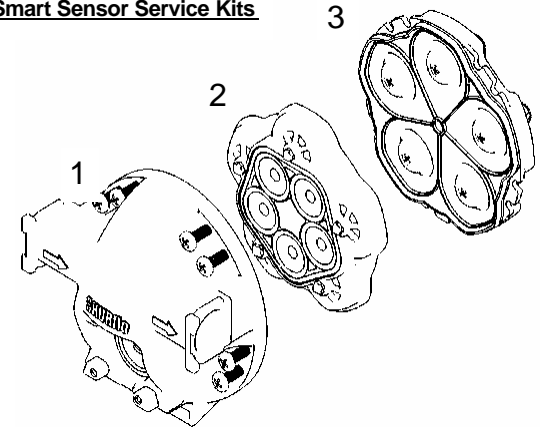
OEM: 5907-6304
AFTERMARKET: 5907-6304

The Smart System is designed specifically for midsize and large yachts. Delivering 10 GPM and pressure up to 60 PSI, this micro-controller based variable speed and Extreme Pro-Blaster combination pumps precisely monitors your system's water flow demand and adjusts the motor speed of the Smart Sensor maintaining the Extreme Pro-Blaster pump on stand by, eliminating the need for an accumulator tank.

TYPICAL APPLICATIONS

Multi-fixture marine fresh water installations. Other uses may included 24V DC pressurized water systems in cabins This pumps may be used for general water transfer. For other applications, contact SHURflo.

Smart Sensor Service Kits



Number	Components	Parts Kits
1	Upper Housing	94-891-00
2	Valve Assembly	94-030-01
3	Drive Assembly	94-030-02

EXTREME PRO-BLASTER AND SMART SENSOR PUMP

Type: 5 Chamber Diaphragm
 Ports: Quick Connect Fittings.
 Liquid: 130 °F [54 °C] Max
 Prime: 6 feet [1.82 M]
 Inlet PSI: 30 PSI [2.1 Bar] Max
 Run Dry: Yes

ELECTRICAL

Motor: 24VDC Permanent Magnet, Intermittent Duty
 Protection: Thermal Overload, Automatic Restart
 Leads: 14 AWG, 16" [40 cm] Red +, 13" [33 cm] Black -
 SS Fuse: 7.5 Amp Recommended
 X-Pro Fuse: 10 Amp Recommended
 Fuse Both: 20 Amp Recommended
SS Control: Micro processor PWM with Pressure Switch
SS Shut-Off: Voltage Variant, factory set @ 65 PSI [4.4 Bar] ± 5 PSI [.4 Bar]
X-Pro Control: Adjustable Switch. Shut-Off 45 PSI [3.1 Bar] ± 5 PSI [.4 Bar]
 Restart 25 PSI [1.8 Bar] ± 5 PSI [.4 Bar]

MATERIALS

Board: Polyethylene
 Housing: Nylon
 Valves: EPDM
 Diaphragm: Santoprene
 Hardware: Stainless Steel

APPROVALS

Ignition Protected, CE, ISO 8846

WARRANTY

3 Year Limited Warranty
 See SB-1041 & SB-1050 For Full Warranty Details

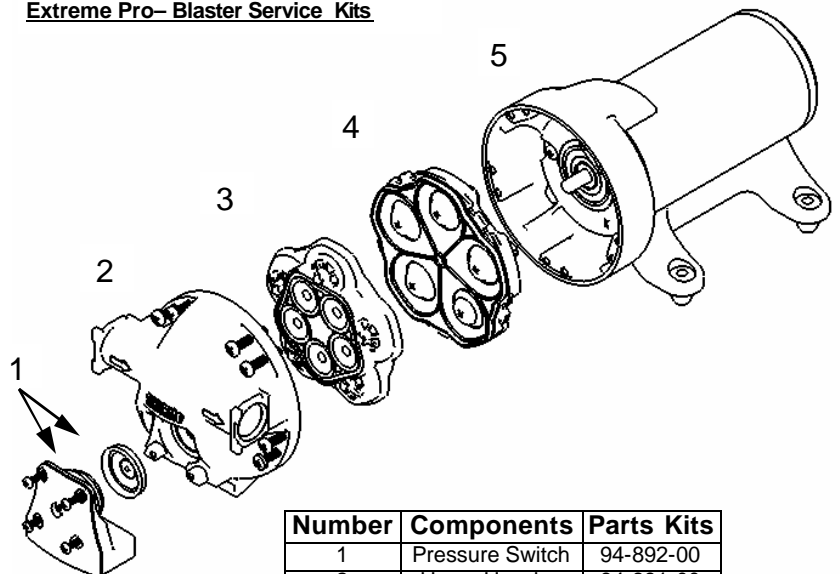
SHIPPING

Net Weight: 17 Lb [Kg] each
 Carton Weight: 1 each, 21 Lb [Kg]
 Carton Size: 25"L x 19"W x 8"H
 [63 cm x 49 cm x 21 cm]

RELATED DOCUMENTS

Catalog: MS-030-140
 Installation Manual: 911-621 / 911-622
 Maintenance: 911-621 / 911-622
 Applications Spec Guide: MS-020-005
 Warranty: SB-1050

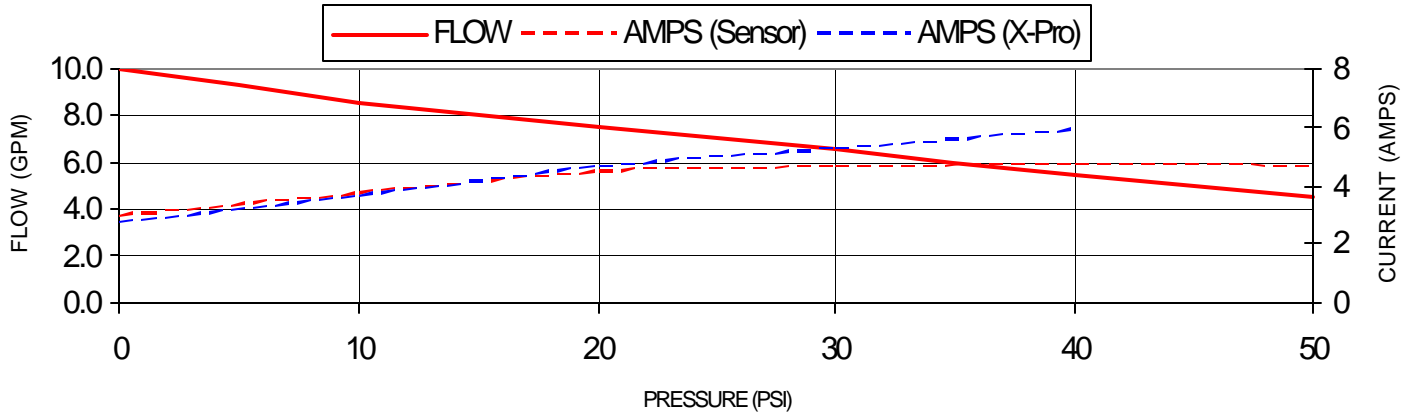
Extreme Pro- Blaster Service Kits



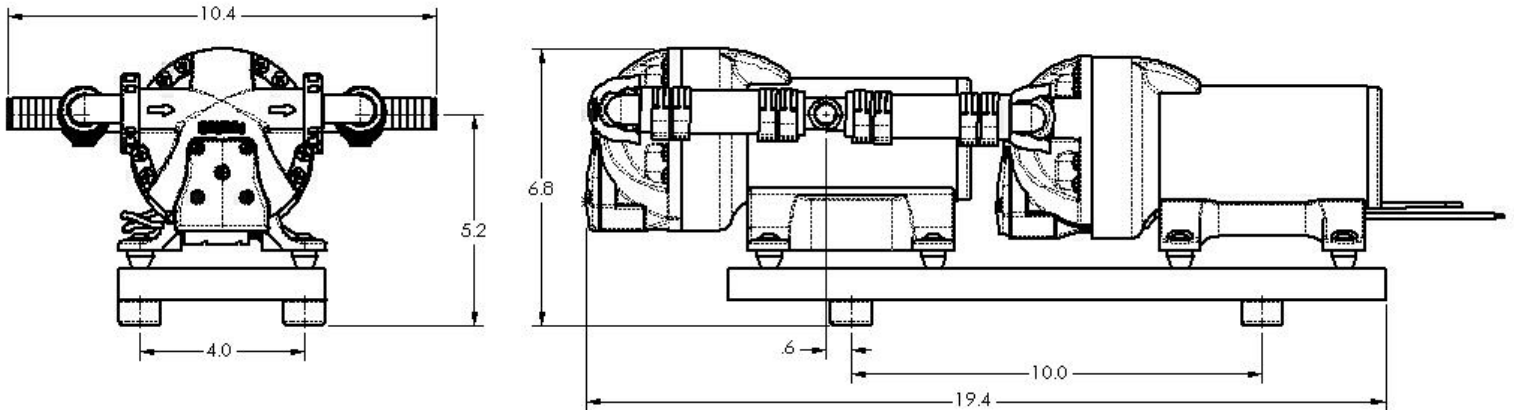
Number	Components	Parts Kits
1	Pressure Switch	94-892-00
2	Upper Housing	94-891-00
3	Valve Assembly	94-030-01
4	Drive Assembly	94-030-02
5	Motor	77-009-17

PERFORMANCE @ 24V DC

PRESSURE		FLOW		CURRENT (total)
BAR	PSI	GPM	LPM	AMPS
0.0	0	10	37.8	5.93
0.7	10	8.5	32.1	7.9
1.4	20	7.5	28.3	9.3
2.1	30	6.5	24.6	10.3
3.5	50	4.5	17.0	11.7



DIMENSIONS [mm]



*ISO Registered Facility

SHURflo reserves the right to update specifications, prices, or make substitutions.



SHURflo, LLC*
 5900A Katella Ave.
 Cypress, Ca. 90630
 Phone: 800 854 3218
 Fax: 562 795 7554
 Shipping: 5900C Katella Ave.
 Cypress, Ca. 90630

SHURflo East
 52748 Park Six Court
 Elkhart, IN 46514-5427
 Phone: 800 854 3218
 Fax: 574 264 2169
 Http://www.shurflo.com
 © 2001

SHURflo Ltd.*
 Unit 5, Sterling Park
 Gatwick Road, Crawley
 West Sussex, RH10 9QT
 United Kingdom
 Phone: 0044 (0) 1293 424 000
 Fax: 0044 (0) 1293 421 880